

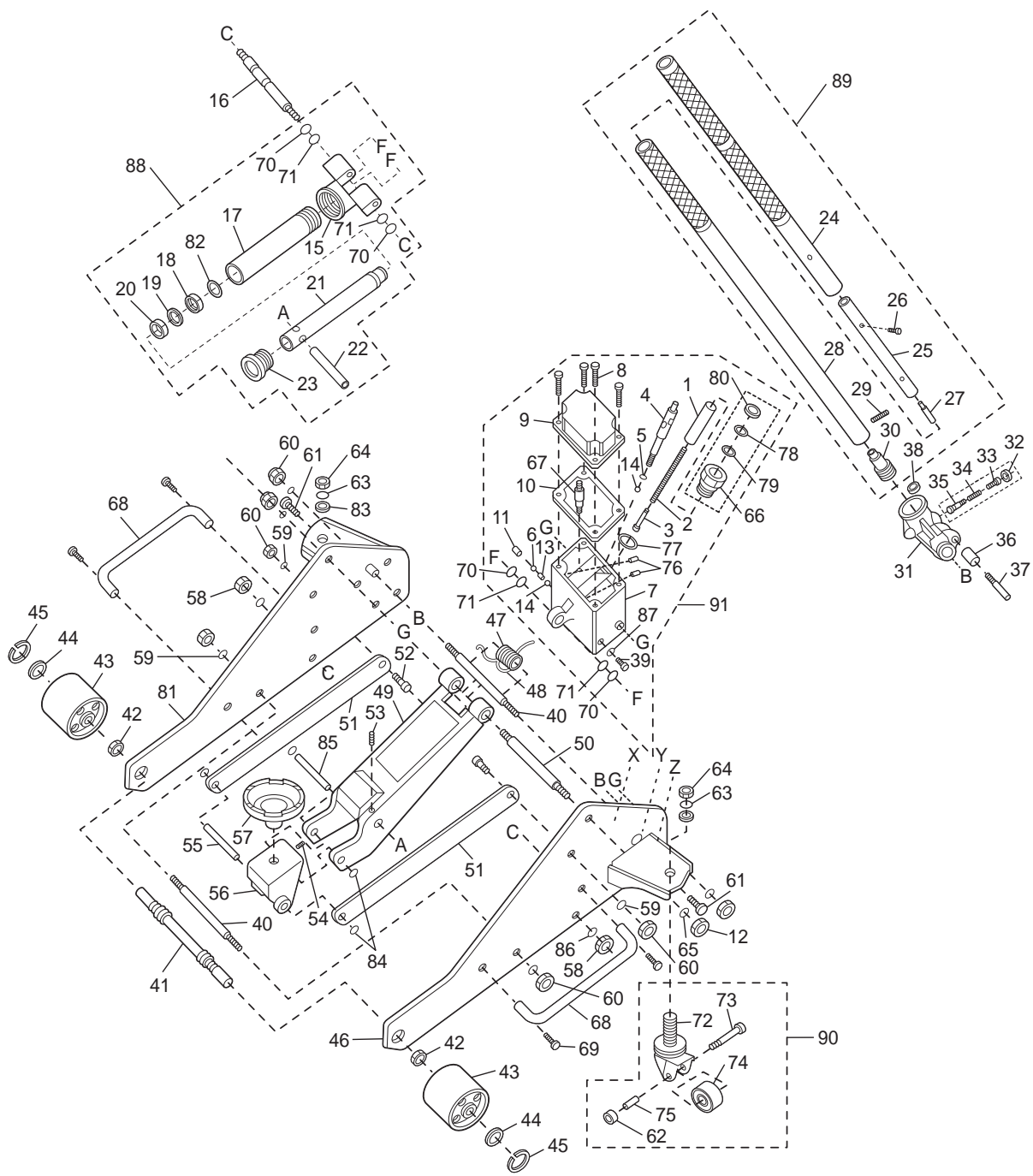


DESCRIPTION
LIGHT WEIGHT FLOOR JACK

CAPACITY
2 TON

MODEL NO.
71222

REPLACEMENT
PARTS



INDEX NO.	DESCRIPTION	PART NO.	REQ'D NO.
1	Pump Piston	219701	1
2	Piston Spring	219702	1
3	Spring Guide	219703	1
4	Release Valve Assembly	218620	1
*5	O-ring	218627	1
*6	1/4" Diameter Checkball	9004	1
7	Hydraulic Block	219704	1
8	Allen Socket Cap Screw	219706	4
9	Reservoir Cover	219707	1
*10	Cover Gasket	219708	1
11	Set Screw	219709	1
12	Nyloc Nut	219711	2
13	Separator	219712	1
14	1/4" Diameter Checkball	9004	2
15	Cylinder Base	219713	1
16	Cylinder Base Axle	219714	1
17	Cylinder	219716	1
*18	"U" Cup Seal	219717	1
*19	Backup Ring	219718	1
20	Ram Bearing	219719	1
21	Ram	219721	1
22	Ram Axle	219722	1
23	Cylinder Nut	219723	1
24	Upper Handle	219724	1
25	Handle Insert	219726	1
26	Handle Screw	217141	1
27	Spring Button	219727	1
28	Lower Handle	219728	1
29	Expansion Pin	219729	1
30	Handle Insert (Lower)	219731	1
31	Handle Base	219732	1
32	Knob	219733	1
33	Knob Housing	219734	1
34	Spring	219736	1
35	Pin	219737	1
36	Handle Base Roller	218604	1
37	Roller Axle Bolt	218606	1
38	Nyloc Nut	218607	1
39	Screw	219738	1
40	Support Spacer Bolt	219739	2
41	Front Axle	219741	1
42	Axle Nut	219742	2
43	Front Wheel	218666	2
44	Washer	218668	2
45	Retaining Ring	12196	2
46	Left Frame Assembly	219705	1

INDEX NO.	DESCRIPTION	PART NO.	REQ'D NO.
47	Torsion Spring	219743	1
48	Torsion Spring	219744	1
49	Elevator Arm	219746	1
50	Pivot Pin	219747	1
51	Guide Arm	218658	2
52	Guide Arm Bolt	218659	2
53	Set Screw	219748	1
54	Set Screw	219749	2
55	Saddle Base Short Pin	219751	1
56	Saddle Base	219752	1
57	Saddle	219753	1
58	Nut	219754	2
59	Lockwasher	219756	6
60	Nut	219757	6
61	Screw	219758	2
62	Nyloc Nut	219759	2
63	Lockwasher	219761	2
64	Caster Stem Nut	219762	2
65	Lockwasher	219763	2
66	Pump Housing	219764	1
67	Nyloc Screw Bushing	219766	2
68	Optional Grab Handle (2)	219767	2
69	Grab handle Screw	219768	4
*70	Backup Ring	219769	4
*71	O-ring	219771	4
72	Caster Yoke	219772	2
73	Caster Axle	219773	2
74	Caster Wheel	219774	2
75	Axle Sleeve	219776	2
76	Oil Screen	219777	2
*77	O-ring	219778	1
*78	Backup Ring	218631	1
*79	O-ring	218629	1
*80	Piston U-Cup Seal	219779	1
81	Right Frame Assembly	219710	1
82	Ram Retaining Ring	219781	1
83	Flat Washer	219782	2
84	Retaining Ring	12195	4
85	Saddle Base Long Pin	219783	1
86	Lockwasher	219784	2
87	Valve Cartridge Seat	219786	1
88	Cylinder/Ram Assembly	219715	1
89	Two Piece Handle (Complete)	219720	1
90	Caster Assembly	219725	2
91	Hydraulic Block Assembly	219730	1
	Repair Kit	219750	1

* = Designates those parts included in repair kit #219750.