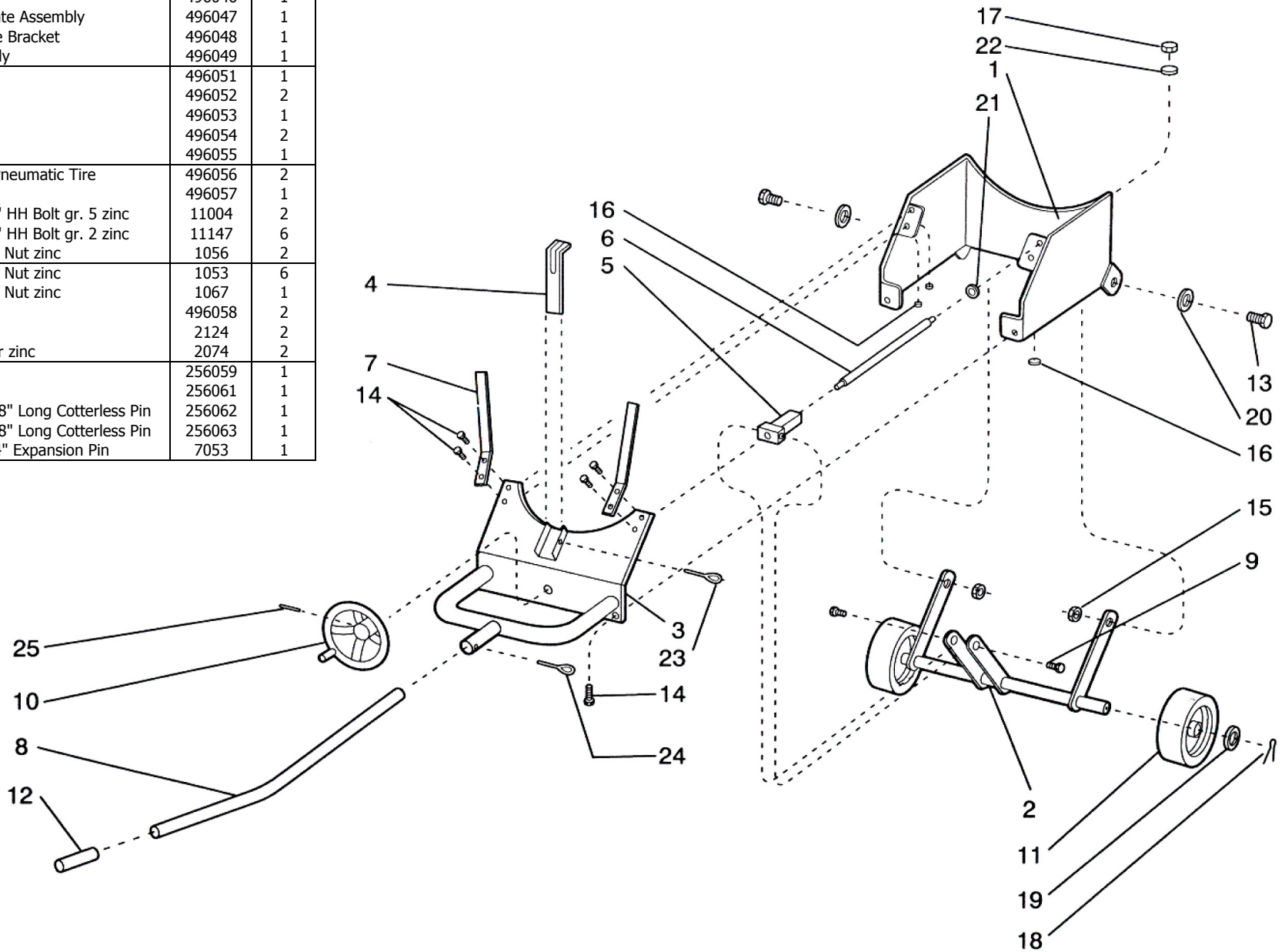


INDEX NO.	DESCRIPTION	PART NUMBER	REQ'D NO.
1	Carriage Frame Assembly	496045	1
2	Axle Assembly	496046	1
3	Carriage End Plate Assembly	496047	1
4	Adjustable Angle Bracket	496048	1
5	Trunion Assembly	496049	1
6	Drivescrew	496051	1
7	Bar Stop	496052	2
8	Long Handle	496053	1
9	Trunion Screw	496054	2
10	Round Handle	496055	1
11	Wheel w/Semi-Pneumatic Tire	496056	2
12	Handle Grip	496057	1
13	1/2"-13 X 1-1/2" HH Bolt gr. 5 zinc	11004	2
14	1/4"-20 X 1-1/4" HH Bolt gr. 2 zinc	11147	6
15	1/2"-13 Ny-Lock Nut zinc	1056	2
16	1/4"-20 Ny-Lock Nut zinc	1053	6
17	3/8"-24 Ny-Lock Nut zinc	1067	1
18	Cotter Pin	496058	2
19	Thrust Washer	2124	2
20	1/2" Flat Washer zinc	2074	2
21	Large Washer	256059	1
22	Small Washer	256061	1
23	5/16" dia X 1-5/8" Long Cotterless Pin	256062	1
24	5/16" dia X 2-1/8" Long Cotterless Pin	256063	1
25	3/16" dia X 1-3/4" Expansion Pin	7053	1



REPLACEMENT
PARTS

MODEL NO.
72040A

CAPACITY

DESCRIPTION
BRAKE DRUM HANDLER

