

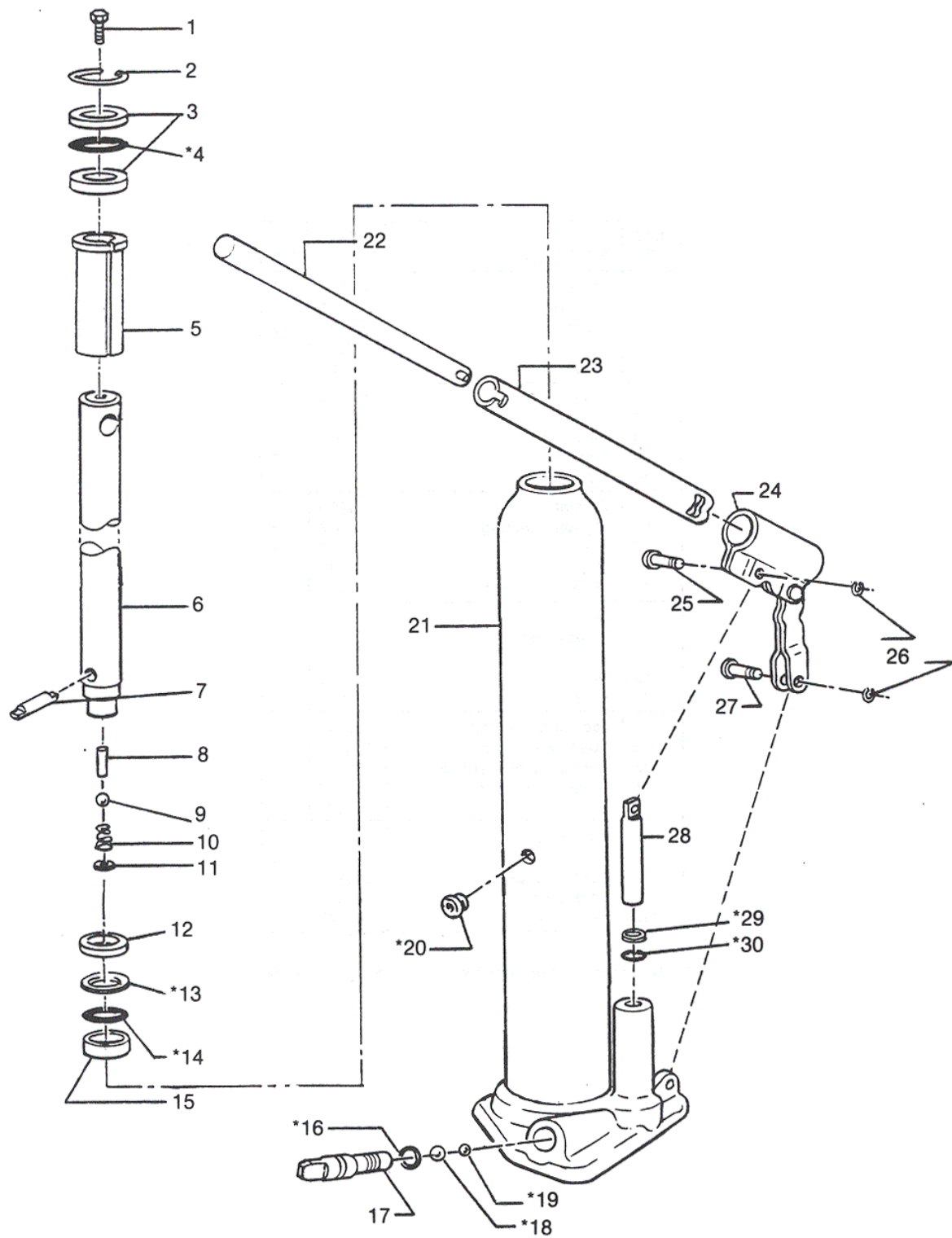
norco

DESCRIPTION
PROFESSIONAL HYDRAULIC LONG HAND JACK

CAPACITY
3

MODEL NO.
76403

REPLACEMENT
PARTS



INDEX NO.	DESCRIPTION	PART NO.	QTY.
1	Screw	605029	1
2	Snap ring	605011	1
3	Upper bearing	605013	2
*4	O-ring	605012	1
5	Sleeve	605026	1
6	Ram	605023	1
7	Limit pin	605024	1
8	Valve pin	605022	1
9	Ball	9004	1
10	Spring	4007	1
11	Retainer	2005	1
12	(A) Ram bearing	605017	1
*13	Back-up ring	605018	1
*14	O-ring	605019	1
15	(B) Ram bearing	605021	1
*16	O-ring	12001	1
17	Release valve	602056	1
*18	Ball	9005	1
*19	Ball	9002	1
*20	Fill plug	11001	1
21	Jack body assembly	605045	1
22	Solid handle section	605108	1
23	Tubular handle section	605107	1
24	Lever linkage assembly	605105	1
25	Pin	7006	1
26	Snap ring	12003	2
27	Pin	7007	1
28	Pump plunger	605109	1
*29	Back-up ring	605028	1
*30	O-ring	605027	1

* = Represents those parts included in repair kit #605600.