

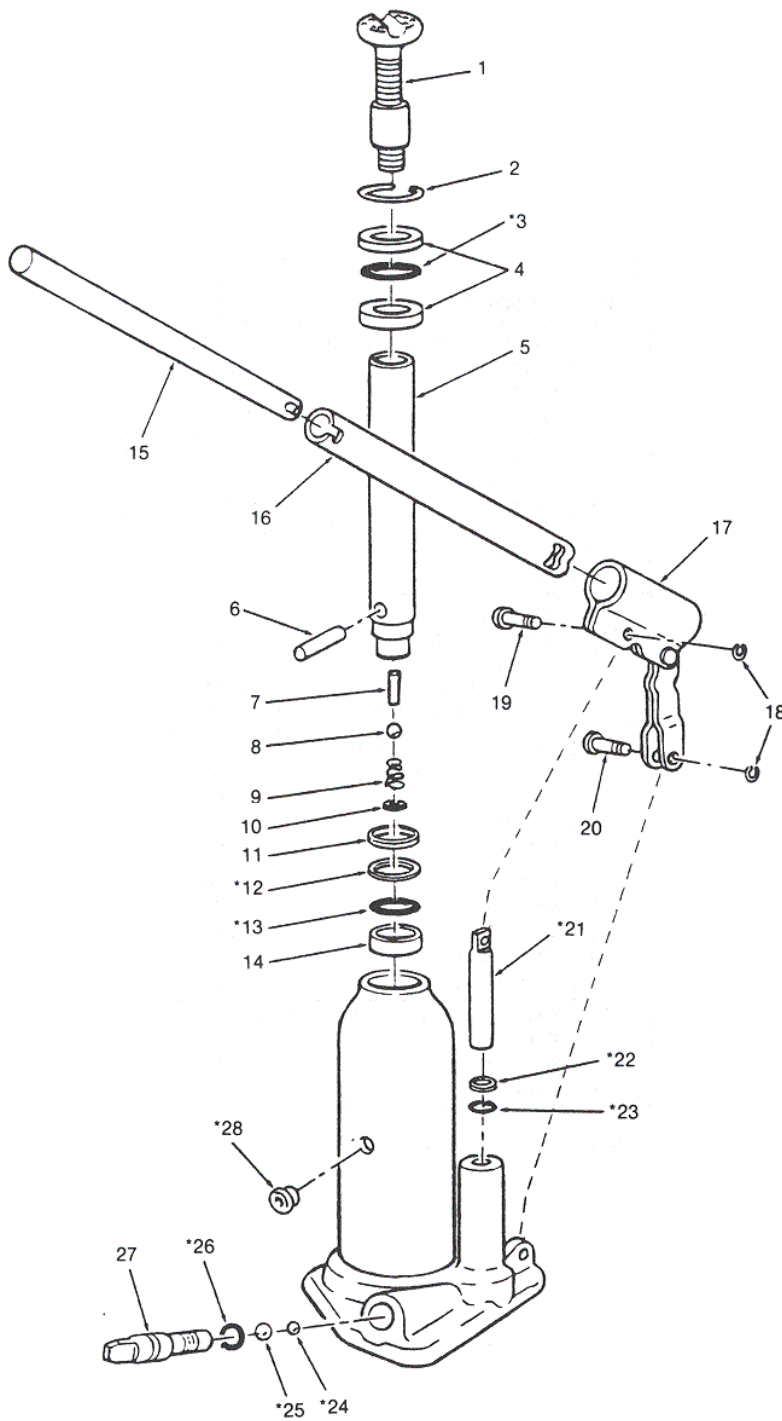
norco

DESCRIPTION
HYDRAULIC AXLE JACK

CAPACITY
2 TON

MODEL NO.
76502

REPLACEMENT
PARTS



*Designates those parts included in repair kit #602500.

INDEX NO.	DESCRIPTION	PART NO.	QTY.
1	Extension screw assembly	602005	1
2	Snap ring	602011	1
*3	O-ring	602012	1
4	Upper bearing	602013	2
5	Ram	602014	1
6	Limit pin	602016	1
7	Valve pin	602022	1
8	Check ball, limit pin .250 dia.	602022	1
9	Spring	4007	1
10	Retainer	2005	1
11	Ram bearing (A)	602017	1
*12	Back-up ring	602018	1
*13	O-ring	602019	1
14	Ram bearing (B)	602021	1
15	Handle section, solid	602108	1
16	Handle section, tublar	602107	1
17	Lever linkage assembly	602100	1
18	Snap ring	12003	2
19	Pin, link	7005	1
20	Pin, link	7004	1
*21	Pump plunger	602106	1
*22	Back-up ring	12004	1
*23	O-ring	12002	1
*24	Check ball, cyl. injection port .219 dia.	9001	1
*25	Check ball, release valve .313 dia.	9005	1
*26	O-ring	12001	1
27	Release valve	602056	1
*28	Plug, oil filler	11001	1

*Designates those parts included in repair kit #602500.