

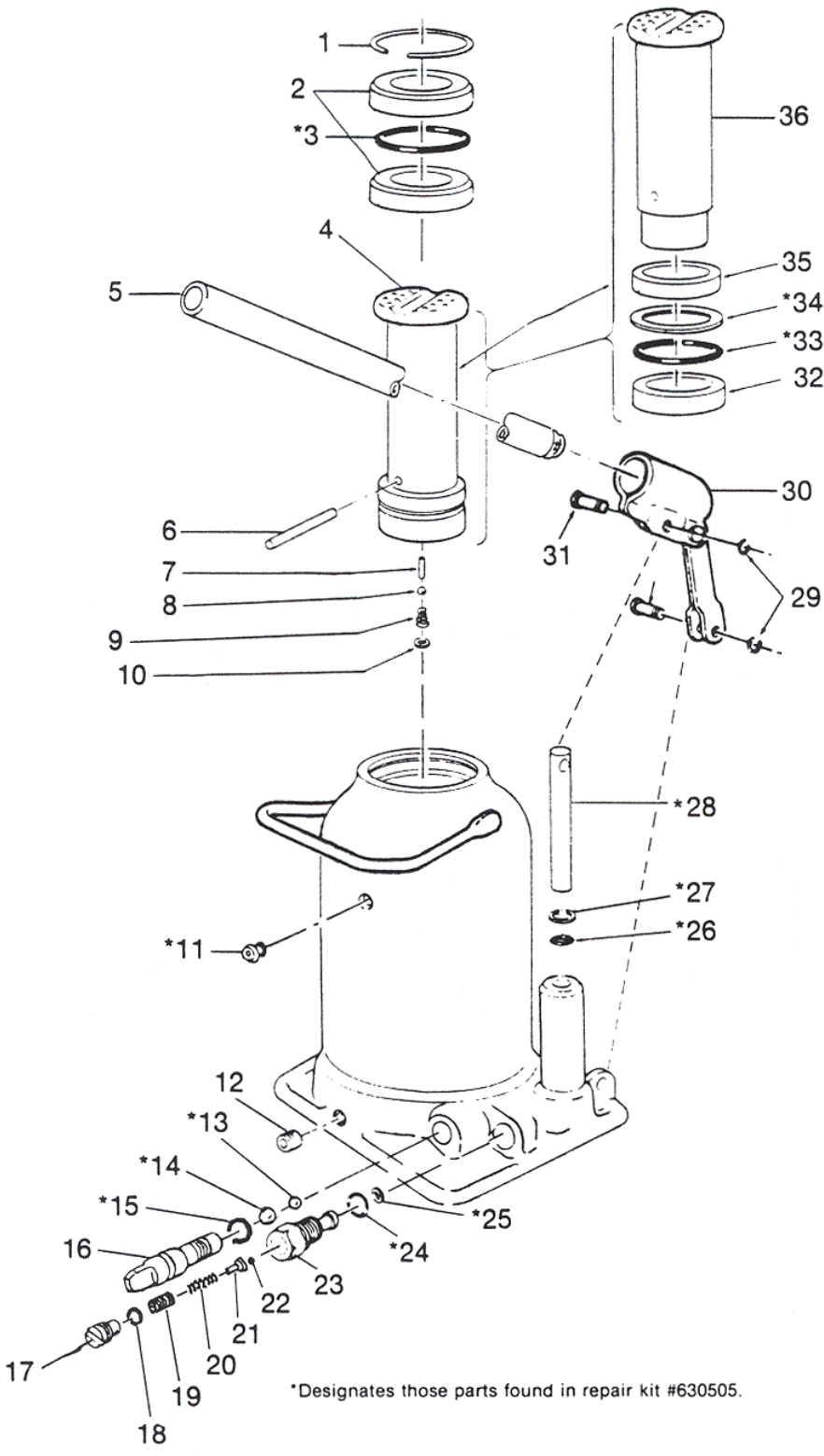
**norco**

**DESCRIPTION**  
HYDRAULIC AXLE JACKS

**CAPACITY**  
30 TON

**MODEL NO.**  
76530A

**REPLACEMENT PARTS**



INDEX NO.	DESCRIPTION	PART NO.	QTY.
1	Snap ring	630113	1
2	Upper ram bearing	630114	2
*3	O-ring	630116	1
4	Ram assembly	631020	1
5	Handle	630118	1
6	Limit pin	630117	1
7	Valve pin	620022	1
8	Check ball	9004	1
9	Spring	4007	1
10	Retainer	2005	1
*11	Oil filler plug	11001	1
12	Plug	630051	1
*13	Check ball	9004	1
*14	Check ball	9008	1
*15	O-ring	12006	1
16	Release valve	605057	1
17	Cap screw	630132	1
18	O-ring	630133	1
19	Adjustment screw	630134	1
20	Overload spring	630136	1
21	Spring cap	630137	1
22	Check ball	9019	1
23	Overload valve body	630131	1
*24	O-ring	630138	1
*25	O-ring	630139	1
*26	O-ring	630129	1
*27	Backup ring	630128	1
*28	Pump plunger	630127	1
29	Retaining ring	12003	2
30	Lever linkage assembly	630125	1
31	Pin link	630119	1
32	Ram bearing (B)	630126	1
*33	O-ring	630123	1
*34	Backup ring	630122	1
35	Ram bearing (A)	630124	1
36	Ram	630121	1

\*Designates those parts found in repair kit #630505.