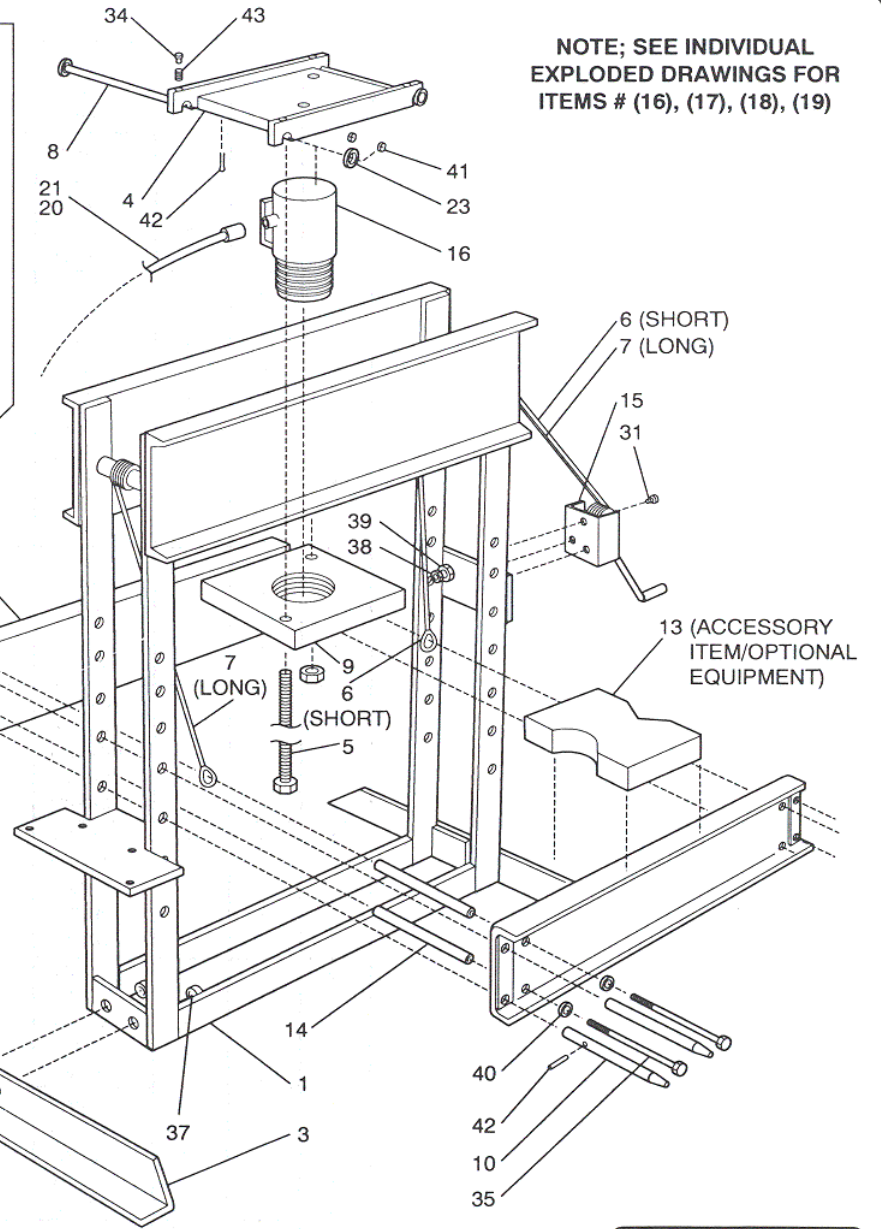
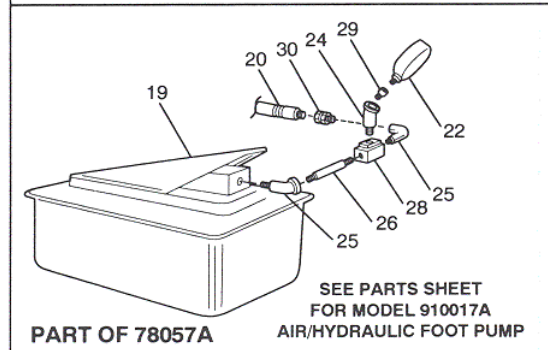
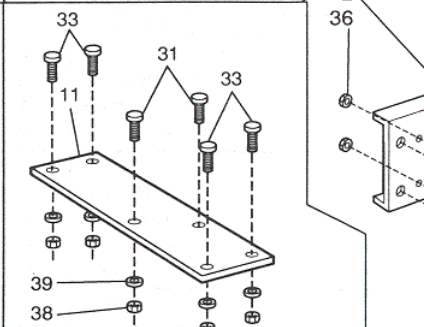
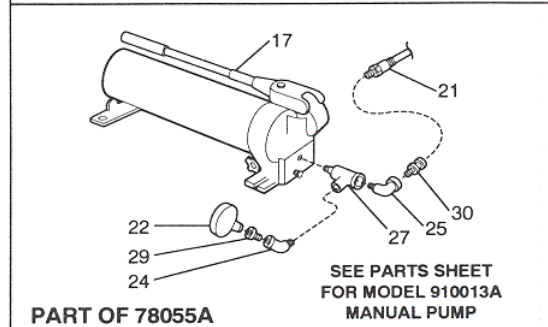
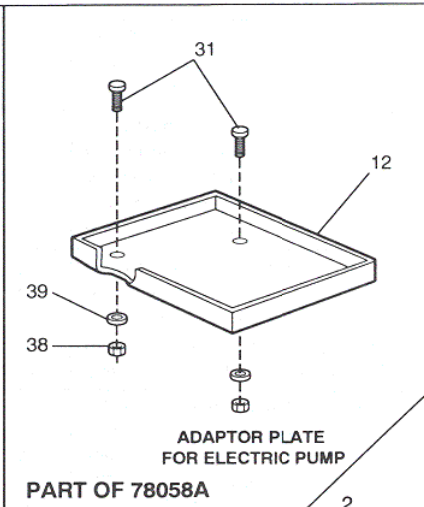
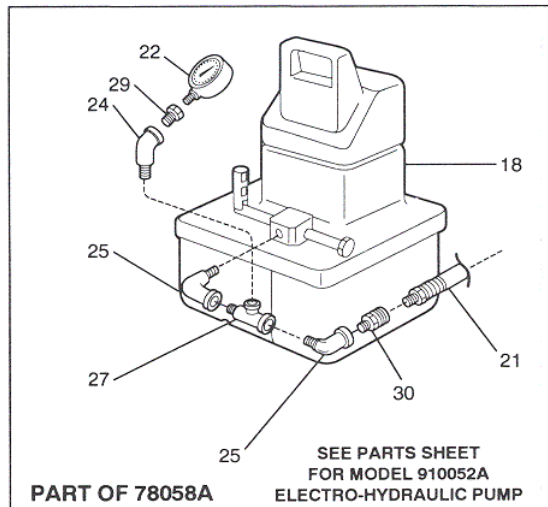


NOTE; SEE INDIVIDUAL  
EXPLODED DRAWINGS FOR  
ITEMS # (16), (17), (18), (19)



REPLACEMENT  
PARTS

MODEL NO.  
78055A/78057A/78058A

CAPACITY  
50 TON

DESCRIPTION  
50 TON PRESS



INDEX NO.	DESCRIPTION	PART NO.	QTY. FOR 78055A	QTY. FOR 78058A	QTY. FOR 78057A
1	Press frame assembly	455125	1	1	1
2	Bed channel assembly	455130	2	2	2
3	Foot pad	455135	2	2	2
4	Bridge plate assembly	455140	1	1	1
5	Tie rod assembly	455145	2	2	2
6	Cable assembly, short	455150	1	1	1
7	Cable assembly, long	455155	1	1	1
8	Bearing shaft	455129	2	2	2
9	Cylinder mounting plate	455131	1	1	1
10	Bed locater bar	455132	4	4	4
11	Adaptor plate (manual pump)	455133	1		
12	Adaptor plate (elect. pump)	455134		1	
13	Arbor plate (pair)/optional equipment	78056A			
14	Spanner sleeve	455137	4	4	4
15	Winch	455095	1	1	1
16	Ram	955019A	1	1	1
17	Pump (manual)	925013A	1		
18	Pump (elect.)	910052A		1	
19	Pump (air)	910017A			1
20	Hose (air)	910036A			1
21	Hose (manual/elect.)	910035A	1	1	
22	Gauge	455115	1	1	1
23	Roller bearing	16006	4	4	4
24	Elbow -45° 3/8" NPT (M/F)	13017	1	1	1
25	Elbow -90° 3/8" NPT (M/F)	13016	1	2	2
26	Union hex, 3/8" NPT (M)	13018			1
27	Tee, 3/8" NPT (M/F/F)	13029		1	
28	Tee, 3/8" NPT (F/F/F)	13030			1
29	Reducer, 3/8" NPT (M/F/F)	13024	1	1	1
30	Swivel end adapter, 3/8" M/F (hoses)	13013	1	1	1
31	Bolt, hex head 5/16 - 18 x 1 1/4" long	11158	5	5	3
32	Bolt, hex head 3/4 - 10 x 2 1/4" long	11153	4	4	4
33	Bolt, hex head 5/16 - 18 x 1 3/4" long	11126	4		
34	Set screw cup point 3/8 - 16 x 1/2" long	3039	4	4	4
35	Bolt, hex head 1" - 8 x 9 1/2" long	11161	4	4	4
36	Nut, hex head 1 - 8	1013	4	4	4
37	Nut, hex head 3/4 - 10	1012	4	4	4
38	Nut, hex head 5/16 - 18	1072	9	5	3
39	Flat washer - 5/16	2071	9	5	
40	Flat washer - 1"	2094	4	4	4
41	Truarc snap ring	12199	8	8	8
42	Expansion pin, 1/4" dia. x 2"	7052	2	2	2
43	Spring	455103	4	4	4