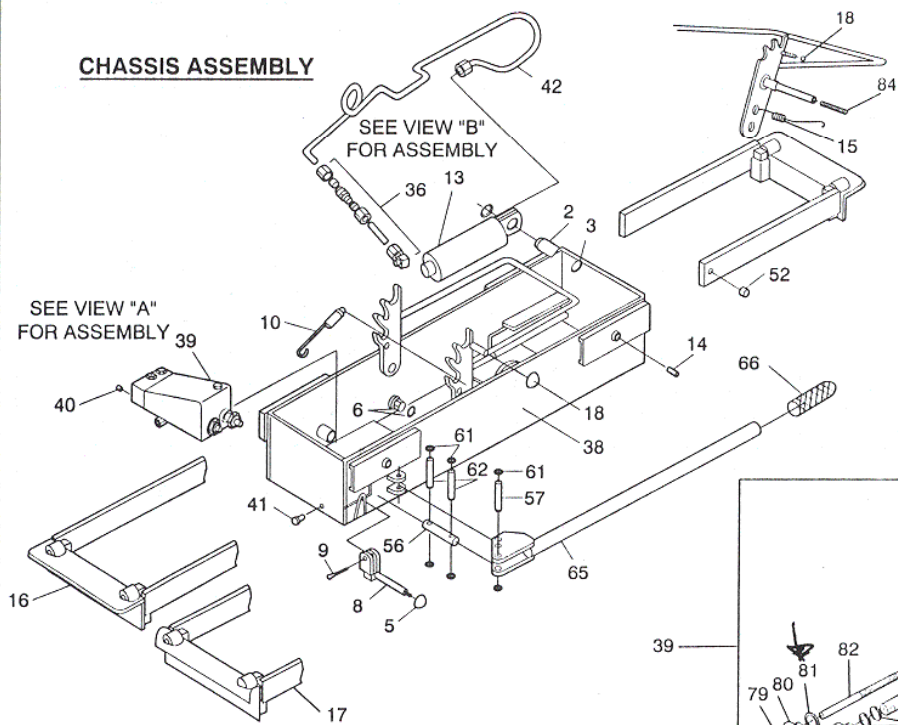
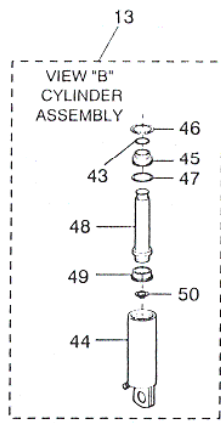


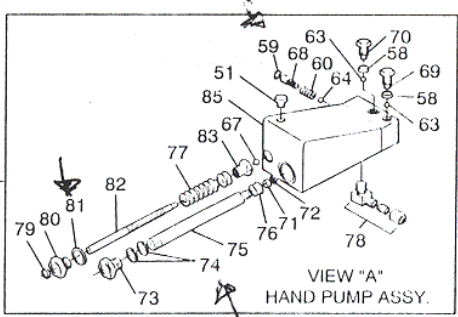
BRIDGE MOUNTING ASSEMBLY



CHASSIS ASSEMBLY



VIEW "B" CYLINDER ASSEMBLY



VIEW "A" HAND PUMP ASSY.

REPLACEMENT PARTS

MODEL NO.
79325

CAPACITY
2 1/2 TON

DESCRIPTION
ROLLING LIFT BRIDGE (MANUAL HYDRAULIC)



INDEX NO.	DESCRIPTION	PART NO.	QTY.
1	Retaining ring	793001	6
2	Ram pivot pin	793002	1
3	Retaining ring	793013	1
4	Saddle	793004	1
5	Release knob	793154	1
6	Retaining ring	793003	2
7	Rubber saddle cover	793007	1
8	Release lever	793156	1
9	Cotter pin	793157	1
10	Return spring	793009	1
11	Expansion pin	793011	2
12	Pin	793012	1
13	Cylinder assembly	793010	1
14	Set screw	793016	4
15	Spring	793017	1
16	Flat-end mounting bracket	79326A	2
17	Hook-end mounting bracket	79327A	2
18	Handle knob	793018	1
19	Lift platform	793019	1
20	Shaft	793021	1
21	Shaft	793022	1
22	Stop	793023	1
23	Inner scissors arm	793024	1
24	Bushing	793026	1
25	Small bushing	793027	2
26	Outer scissors arm	793028	1
27	Shaft	793029	1
28	Shaft	793031	2
29	Bushing	793032	2
30	Shaft	793033	1
31	Trunion arm assembly	793030	1
32	Adjustable arm	793034	2
33	Threaded saddle	793036	4
34	Mechanical stop assembly	793035	1
35	Square saddle base	793037	1
36	Hyd. fitting complete	793040	1
37	Rubber saddle cover	793038	4
38	Chassis	793148	1
39	Pump assembly complete	793150	1
40	Screw	793152	1
41	Screw	793153	1
42	Pressure line	793149	1

INDEX NO.	DESCRIPTION	PART NO.	QTY.
43	O-ring	793116	1
44	Cylinder	793117	1
45	Cylinder nut	793118	1
46	Retaining ring	793119	1
47	O-ring	793121	1
48	Ram	793122	1
49	Ram bearing	793123	1
50	Retaining ring	793124	1
51	Oil fill plug	793151	1
52	Stop expansion pin	793054	2
53	Saddle base	793056	2
54	Saddle assembly complete	793055	1
55	Screw	793138	1
56	Pin	793161	2
57	Pin	793162	1
58	Copper washer	793057	2
59	O-ring	793058	1
60	Overload spring	793059	1
61	Retaining ring	793158	6
62	Pin	793159	2
63	Checkball - 8mm	9025	2
64	Checkball - 1/4" dia.	9004	1
65	Handle	793163	1
66	Handle grip	793164	1
67	Checkball - 4mm	9026	1
68	Adjustment screw	793166	1
69	Valve cover screw	793167	1
70	Valve cover screw	793168	1
71	Brass sleeve	793169	1
72	Retaining ring	793171	1
73	Pump boaring	793172	1
74	O-ring	793173	2
75	Pump piston	793174	1
76	Sleeve	793176	1
77	Release spring	793177	1
78	Fitting assembly	793175	1
79	Washer	793178	1
80	Piston retainer	793179	1
81	Gasket	793181	1
82	Release screw	793182	1
83	Release adjustment	793183	1
84	Spring	793184	1
85	Pump housing	793185	1