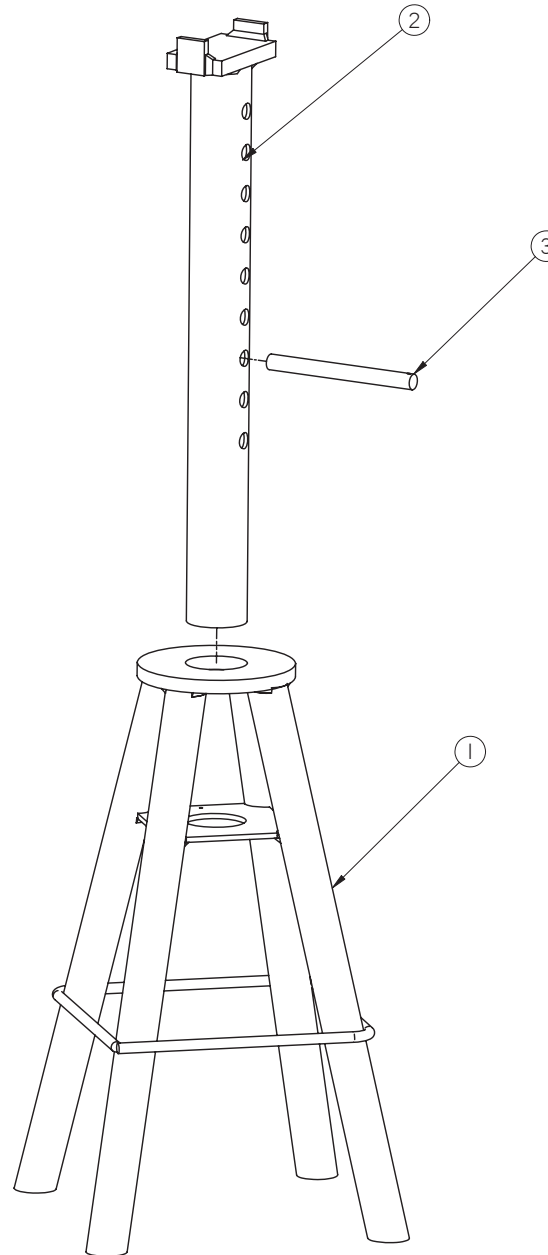


| INDEX NO. | DESCRIPTION | PART NO. | REQ'D NO. |
|-----------|-----------------|----------|-----------|
| 1 | JACK STAND BASE | | 1 |
| 2 | JACK STAND LIFT | | 1 |
| 3 | JACK STAND PIN | | 1 |



Low Height: 33 3/4"
 High Height: 44 1/4"
 Base Size: 16" x 16"
 Saddle: 3" x 5"

REPLACEMENT
PARTS

MODEL NO.
81211

CAPACITY
12 TONS

DESCRIPTION
JACK STAND

norco[®]