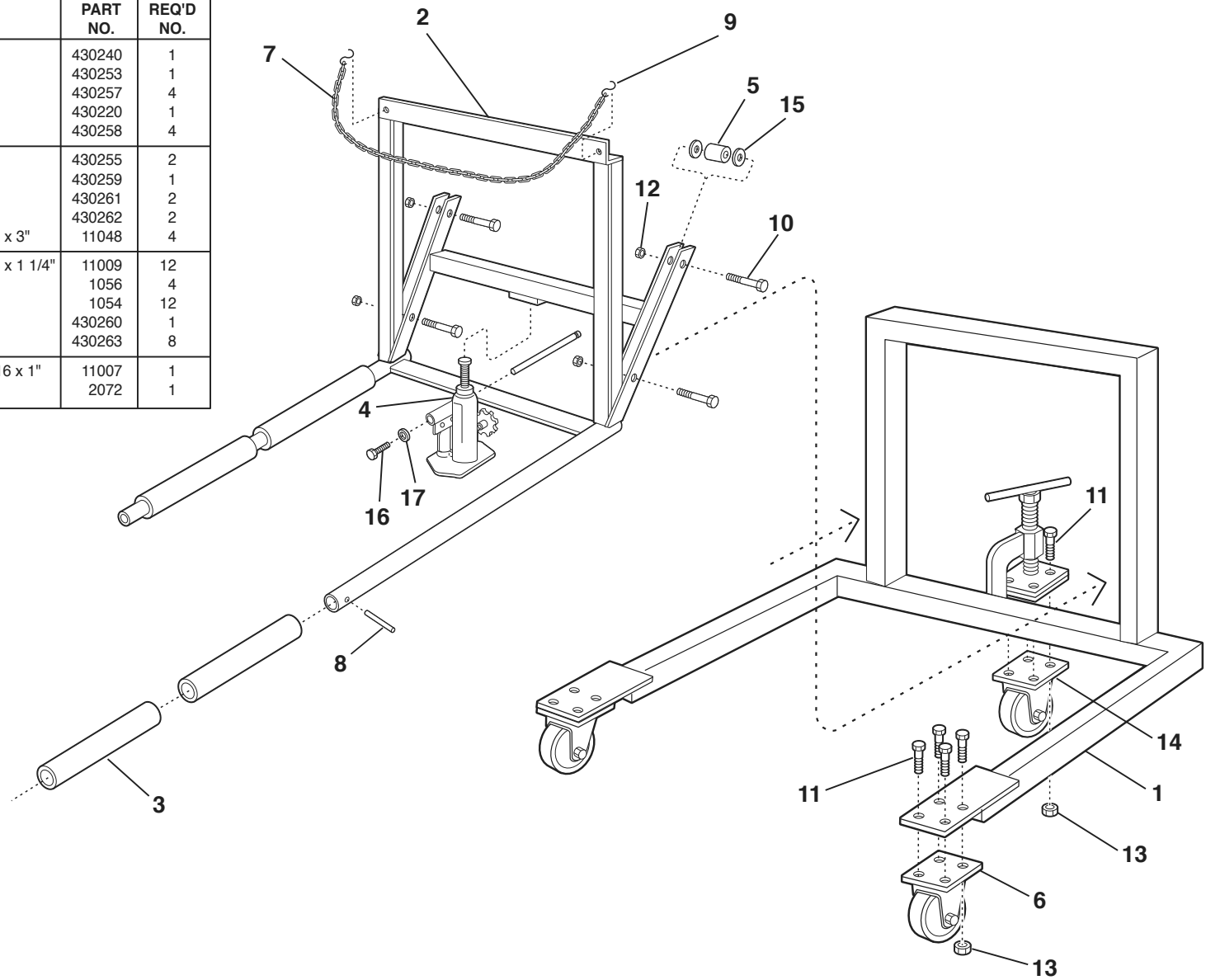


INDEX NO.	DESCRIPTION	PART NO.	REQ'D NO.
1	Base Assembly	430240	1
2	Lift Assembly	430253	1
3	Roller Tube	430257	4
4	Jack Assembly	430220	1
5	Spacer	430258	4
6	Front Swivel Caster	430255	2
7	Chain - 6 feet	430259	1
8	Expansion Pin	430261	2
9	"S" Hook	430262	2
10	Hex. Head Bolt 1/2"-13 x 3"	11048	4
11	Hex. Head Bolt 3/8"-16 x 1 1/4"	11009	12
12	Nylon Locknut 1/2"-13	1056	4
13	Nylon Locknut 3/8"-16	1054	12
14	Rear Caster with Lock	430260	1
15	Fender Washers	430263	8
16	Hex. Head Bolt 3/8" x 16 x 1"	11007	1
17	Flat Washer 3/8"	2072	1



REPLACEMENT  
PARTS

MODEL NO.  
82315

CAPACITY  
1500 LBS.

DESCRIPTION  
FLOOR JACK

