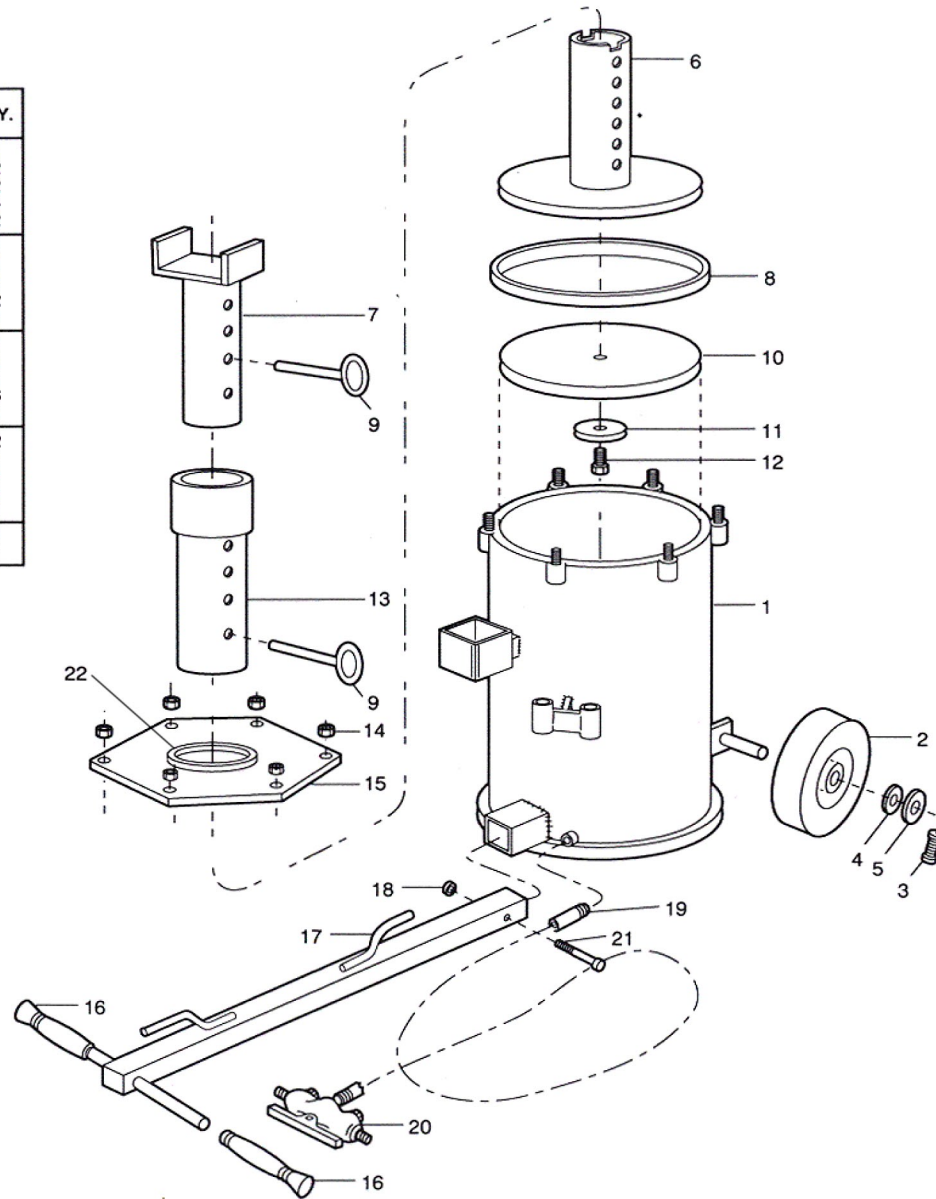


INDEX NO.	DESCRIPTION	PART NO.	QTY.
1	Base Assembly	291030	1
2	Wheel	291037	2
3	Cotter Oin	291002	2
4	Nylon Washer	291034	4
5	Steel Washer	291036	2
6	Ram	291067	1
7	Saddle Column	291064	1
8	Ring	291003-F	1
9	High Adjust. Pin	291027	2
10	U-Cup Seal	291006	1
11	Washer	291007	1
12	Hex Head Bolt	11058	1
13	Extension Column	291066	1
14	Nut	1044	6
15	Cylinder Plate	291029	1
16	Handle Grip	291031	2
17	Handle Assembly	291035	1
18	Nut	1023	1
19	Air Hose	291033	1
20	Air Valve	291032	1
21	Bolt	11063	1
22	Wear Band	291065	1



REPLACEMENT
PARTS

MODEL NO.
82990A

CAPACITY
10 TON

DESCRIPTION
PORTABLE AIR LIFT JACK

norco