



PROFESSIONAL LIFTING EQUIPMENT

Repair Parts Sheet

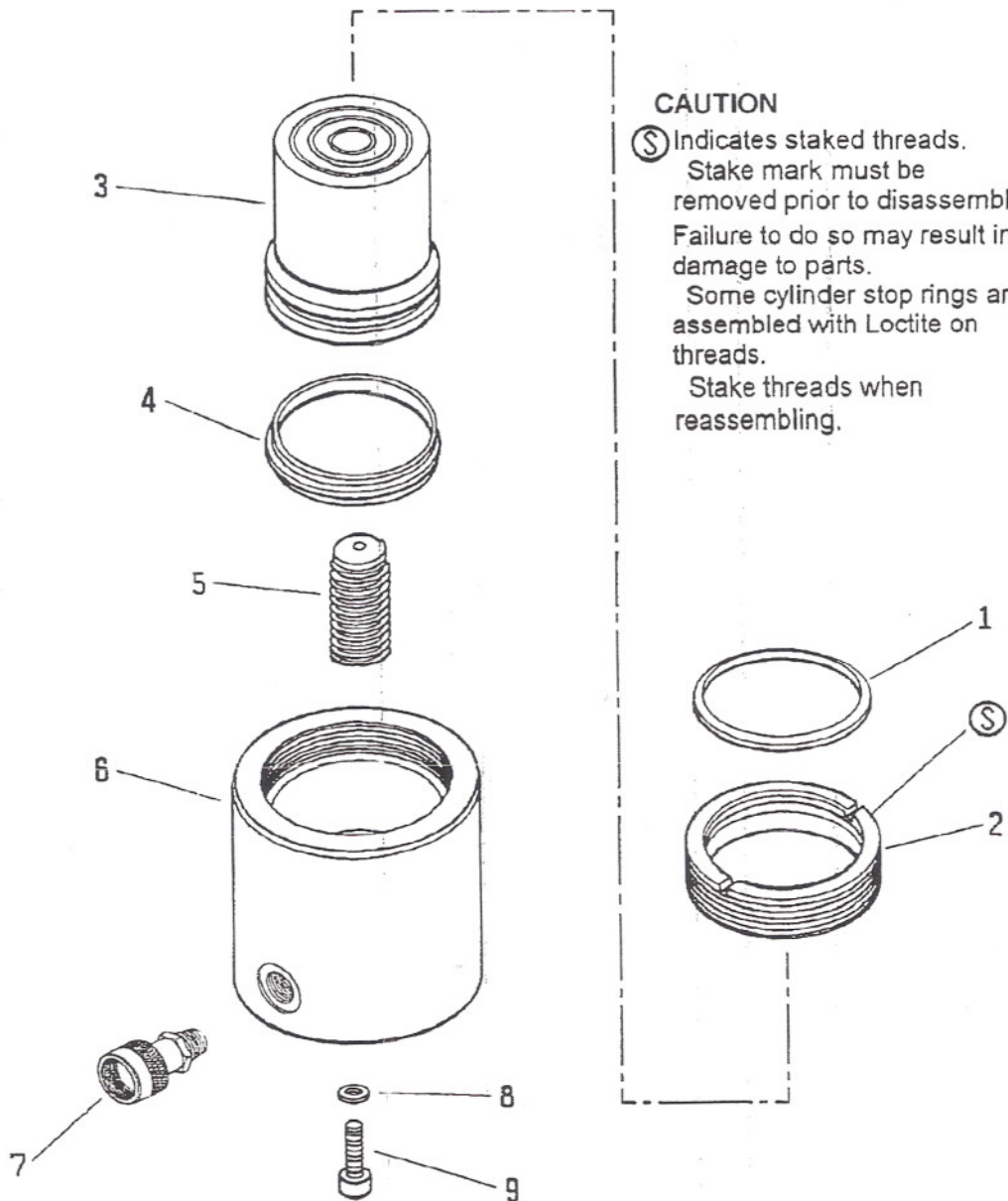
930003 and 950005

L2300

Rev. 0

6/98

Date codes beginning with "C".
950005 date code "C".
930003 date code "A".



TO PROTECT YOUR WARRANTY, USE ONLY NORCO HYDRAULIC OIL.

REPAIR PARTS LIST

ITEM	MODEL 930003	MODEL 950005	QUANTITY	DESCRIPTION
1	★CR77044	★CB388044	1	Wiper Ring
2	CR83044	DA2556044	1	Stop Ring
3	CR78040	DA2557040	1	Plunger
4	★B1333513	★B1338513	1	G-T Ring Ass'y.
5	CU677900W	CU677900	1	Spring Ass'y.
6	<i>Order Complete Cylinder</i>		1	Cylinder Base
7	DC1391900	DC1391900	1	Coupler
8	★S3037	★S3037	1	Gasket
9	B1014028	B1014028	1	Screw
10	DA4338900	DA4338900	1	Dust Cap (not shown)
★	★RCS-302K	★RCS-502K		Repair Kit
★ Indicates items included in Repair Kit RC15K1				

