

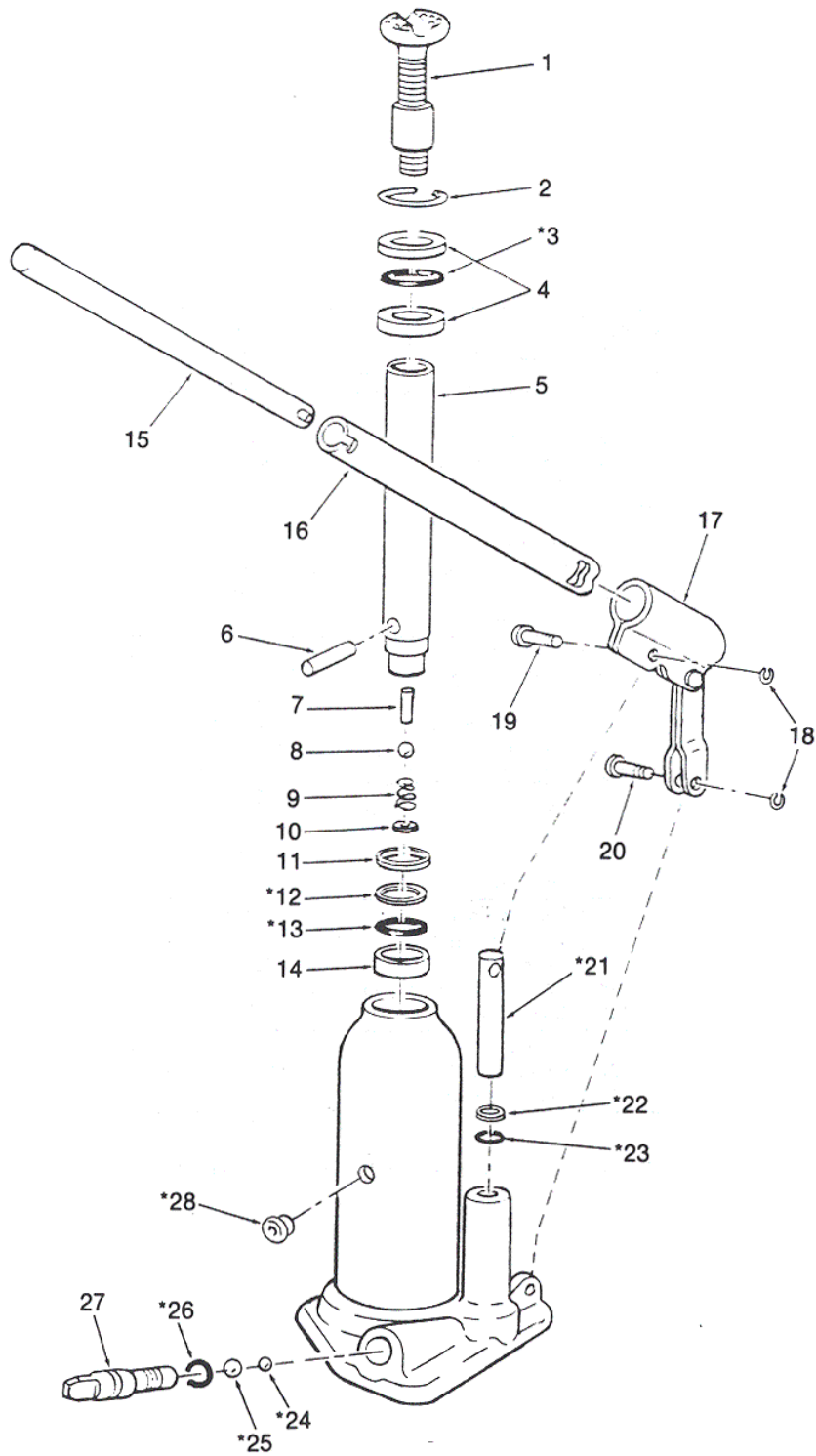


DESCRIPTION  
HYDRAULIC AXLE JACK

CAPACITY  
8 TON

MODEL NO.  
76508

REPLACEMENT  
PARTS



\*Designates those parts included in repair kit #608500N.

INDEX NO.	DESCRIPTION	PART NO.	QTY.
1	Extension screw assembly	608010	1
2	Snap ring	608011	1
*3	O-ring	608012	1
4	Upper bearing	608013	2
5	Ram	608031	1
6	Limit pin	608016	1
7	Valve pin	608022	1
8	Check ball, limit pin .250 dia.	9001	1
9	Spring	4007	1
10	Retainer	2005	1
11	Ram bearing (A)	608017	1
*12	Back-up ring	608018	1
*13	O-ring	608019	1
14	Ram bearing (B)	608021	1
15	Handle section, solid	605108	1
16	Handle section, tubular	605107	1
17	Lever linkage assembly	605110	1
18	Snap ring	12003	2
19	Pin, link	7006	1
20	Pin, link	7007	1
*21	Pump plunger	605111	1
*22	Back-up ring	12007	1
*23	O-ring	12005	1
*24	Check ball, cyl. inj. port .250 dia.	9001	1
*25	Check ball	9005	1
*26	O-ring	12001	1
27	Release valve	602056	1
*28	Plug, oil filler	11001	1

\*Designates those parts included in repair kit #608500N.